

8 7 6 5 4 3 2 1

REVISIONS				
REV.	DESCRIPTION	ECO#	DATE	APPRV.
B	Customer Copy		7/31/2008	

D

D

C

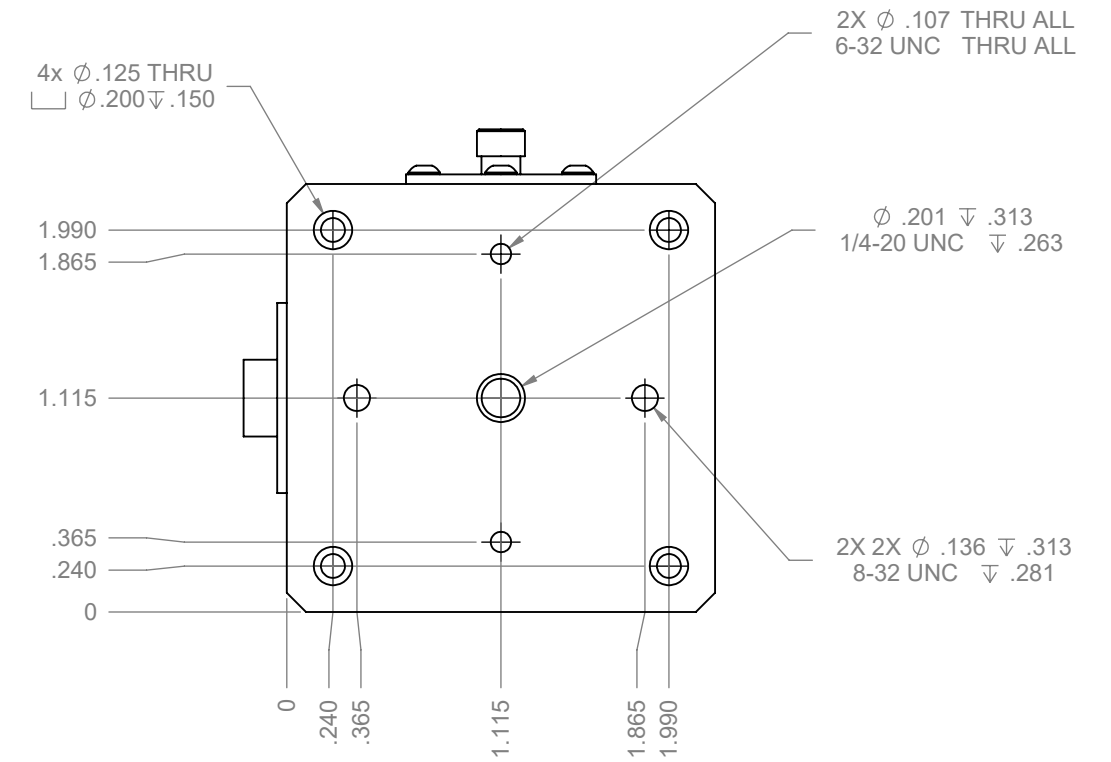
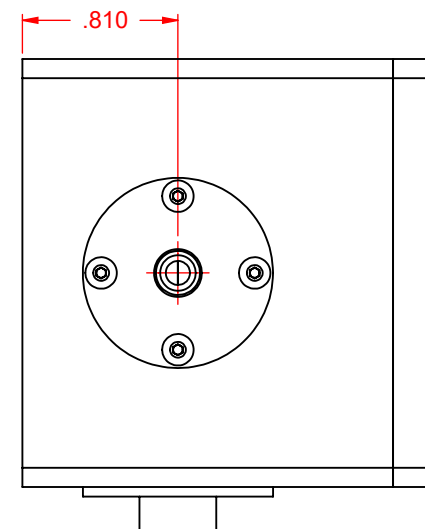
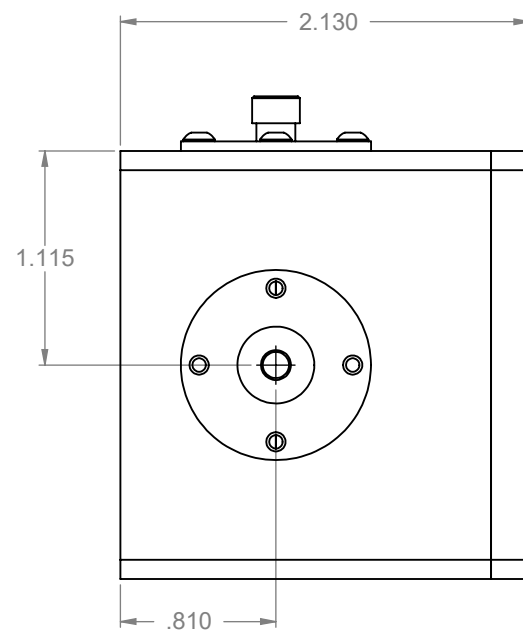
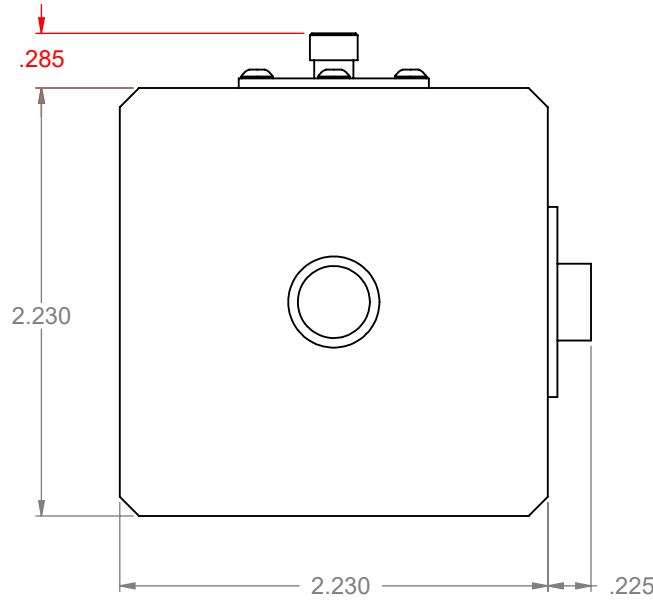
C

B

B

A

A



830 Douglas Ave. 727 733 2447  
 Dunedin, FL 34698 www.oceanoptics.com

**PROPRIETARY AND CONFIDENTIAL**

THE INFORMATION CONTAINED IN THIS DRAWING IS THE SOLE PROPERTY OF OCEAN OPTICS, INC.

ANY REPRODUCTION IN PART OR AS A WHOLE WITHOUT THE WRITTEN PERMISSION OF OCEAN OPTICS, INC. IS STRICTLY PROHIBITED.

**DO NOT SCALE DRAWING**

- DIMENSIONS IN INCHES - UNLESS OTHERWISE NOTED

.X	$\pm$ .030
.XX	$\pm$ .015
.XXX	$\pm$ .005
.XXXX	$\pm$ .0005

Angular  $\pm$ 0.5°

THIRD ANGLE PROJECTION

INTERPRET GEOMETRIC TOLERANCING PER: ANSI Y14.5

MATERIAL

FINISH

	DATE	NAME
MODELED	3/4/2002	
DRAWN	7/31/2008	Rich Bolduc
ENG APPR.	.	.
MFG APPR.	.	.
Q.A.	.	.

COMMENTS:

LIFECYCLE STATUS: **RELEASED**

TITLE:  
**FOIS-1 FIBER OPTIC INTEGRATING SPHERE ASSEMBLY**

PART NO.  
**054-00000-000**

SIZE	DWG. NO.	REV
<b>B</b>	054-00000-000	<b>B</b>

SCALE: 1:1 WT. (lbs) SHEET 1 OF 1

8 7 6 5 4 3 2 1